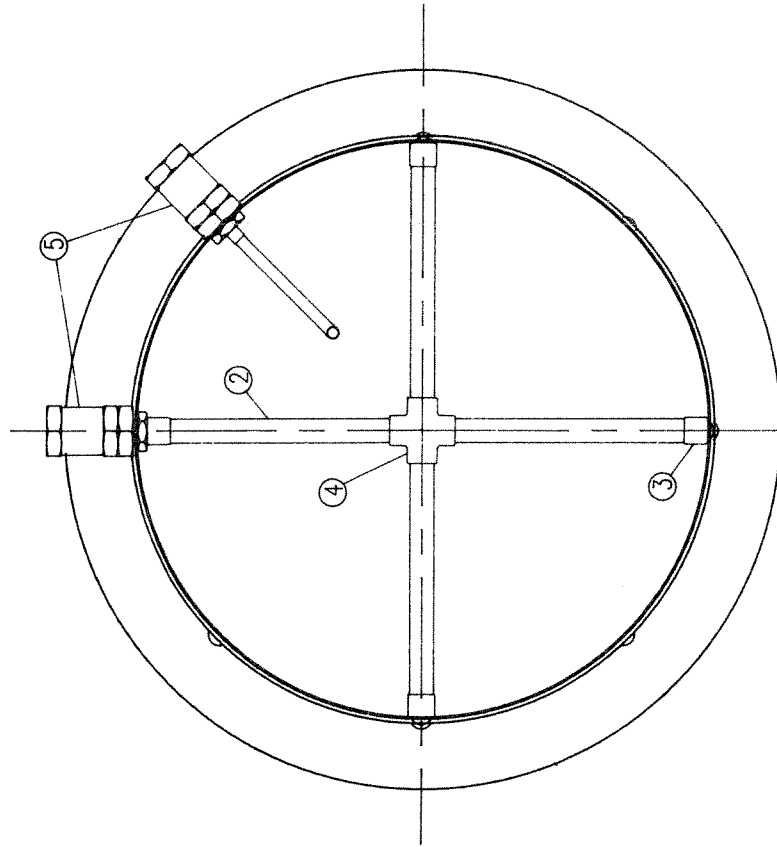


Side View



Section A-A

MATERIALS

- 1. - CASING: GALVANIZED STEEL
- 2. - TUBING: RIGID COPPER
- 3. - CAPS: RIGID COPPER
- 4. - CROSS: BRASS
- 5. - TOTAL & STATIC PRESSURE CONNECTIONS: 1/2" NPT FEMALE
- 6. - FLOW STRAIGHTENING VANES: ALUMINUM
- 7. - SCREWS: NO. 8 x 2" HEX HEAD SHEET METAL (CAD PLATED)

UT ULTRATECH
 GARNER, NORTH CAROLINA U.S.A.

DRAWN BY: MAH DATE: 11-17-93 APPROVALS :

TITLE: ULTRAC AMS 811

SPEC. EP-1000-2 REV: